

### Caution for the tempered glass

- Never use oversized cooking utensils or overload the cooking appliances.



- Do not place the cooker pan over the pan support side as it can cause tumbling.



- Do not remove the pan support and enclose the burner with a wok stand as this will concentrate and deflect the heat onto the gas hob.



- Use only a wok support supplied or recommended by the manufacturer of the appliance.



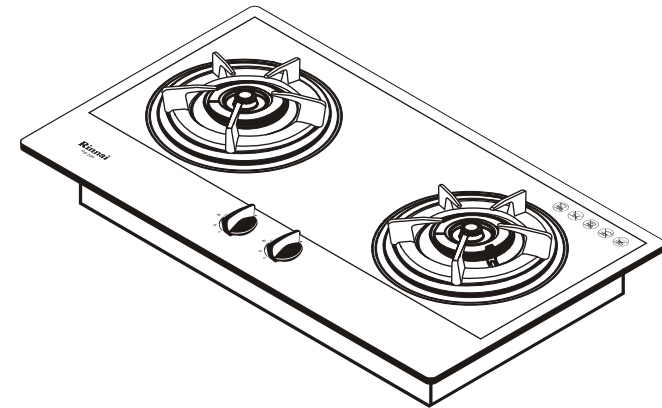
- Do not place anything, e.g., flame tamer, asbestos mat between pan and pan support as serious damage to appliance may result.



# Rinnai

## INSTRUCTION MANUAL

### MODEL RB-2GH-C



### TWO-BURNER GLASS TOP BUILT-IN HOB

In order to obtain the best result and to maintain your Rinnai Glass Top built-in hob in the best condition, please read the instructions below carefully.

**NAME OF PART AND FEATURES**

**COMPONENTS AND PART NAMES**

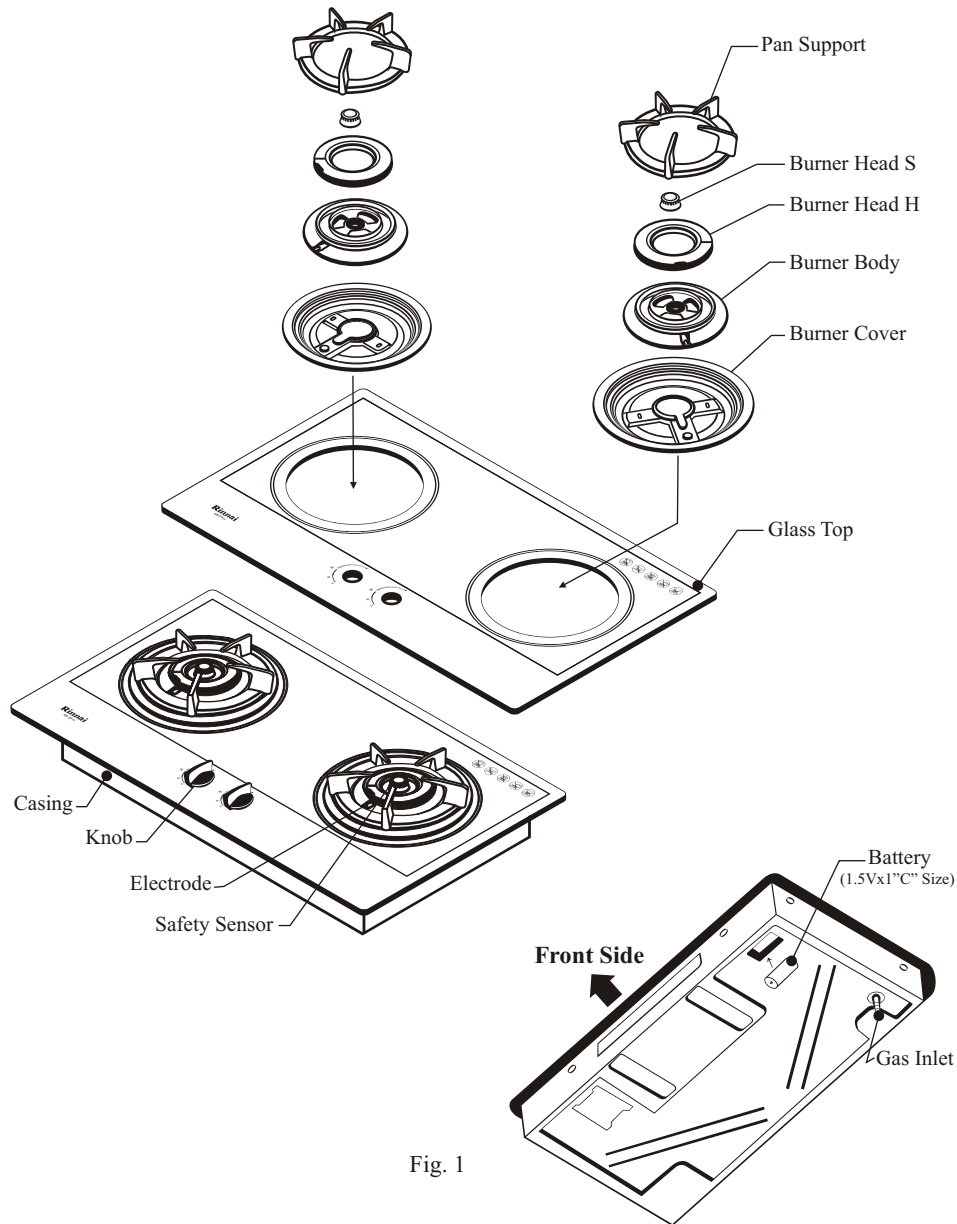


Fig. 1

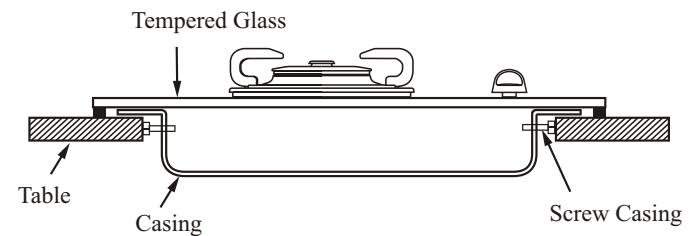
**MAINTENANCE**

- Wipe the tempered glass with a soft damp cloth, and mild detergent.
- Wash the Pan Supports and Burner Covers in warm water and detergent.

**TROUBLE SHOOTING MANUAL FOR RINNAI RB-2GH-C BUILT-IN HOB**

Fault	Cause	Remedy
1. No ignition	Spark electrode wet especially in high humidity season.	Dry the electrode with clean tissue/ dry cloth.
2. Flame can not be held	Incorrect turning of gas control knob.	Push and turn the gas control knob anti-clockwise until a 'click' sound is heard. Hold for a few second until flame is ignited.
3. No main flame	3.1 Gas meter cock and/or appliance isolating cock have been turned off.	Open gas meter cock and/or appliance isolating cock completely.
	3.2 Burner cap is blocked by aluminum foil.	Remove aluminum foil.
4. Yellow flame	Accumulated grease and dirt on burner head.	Wash burner head in warm water with detergent. Leave it on dry and water then place back in correct position.
5. Unstable flame	Incorrect location of burner head.	Refit burner head into burner ring.

- Schema installation on the table.



## INSTALLATION

- This built-in hob is to be used for cooking only. Do not dry towels, clothes, etc. over it.
- Install the built-in hob in a well ventilated room and keep it away from any combustible or inflammable objects such as paper or oil.
- Place the built-in hob on stable and level surface.
- If the built-in hob is to be installed close to combustible surroundings (such as wooden walls, wooden shelves), it should be installed more than 15 cm (6 in) from the side walls. The built-in hob should be installed with a distance of more than 15 cm away from surrounding combustible materials. If the surrounding material is fireproof, 15 cm clearance is not required.
- Make sure that the following parts are fitted properly before use.

### 1. Pan Support

Fit Pan Support Legs into Glass Top.

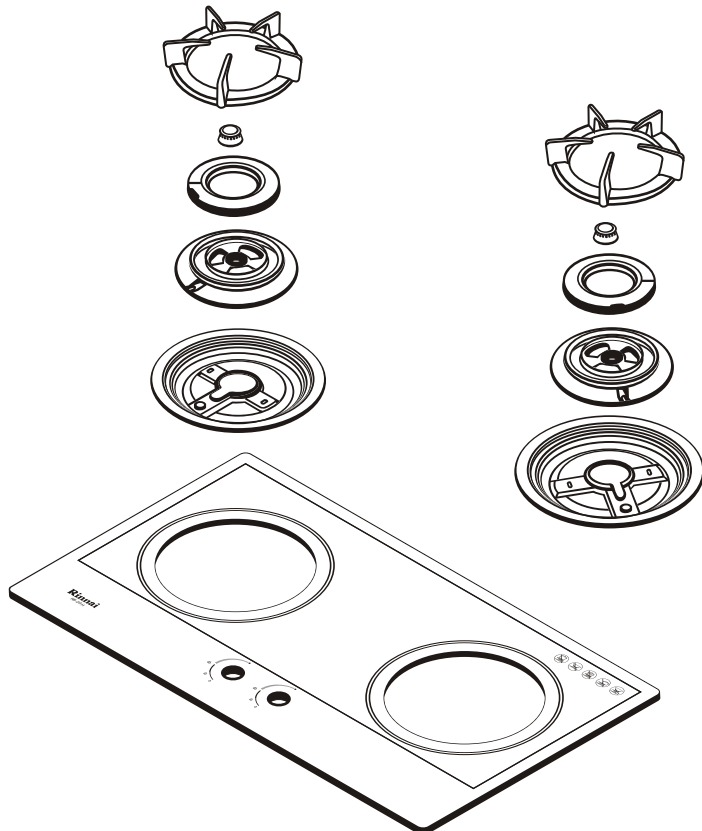


Fig. 3

### 2. Burner Head

Fit Burner head into Burner body, properly without gap. See the right illustration. (Fig. 4)

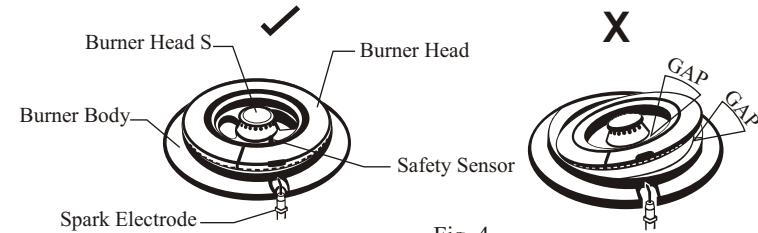


Fig. 4

### 3. Installation of Gas Hose

- A specific rubber hose for built-in hob must be used.
- The rubber hose must not be bent during installation and must be of an appropriate length (less than 2m).
- During installation, make sure that the rubber hose does not come into contact with the body of the built-in hob pass through the bottom part of the built-in hob to prevent melting of the hose.
- Place the securing ring over the rubber hose and connect the rubber hose to the coupler below the rear side of the built-in hob till the marked red line. Then secure the rubber hose in position with the securing ring (For LP Gas).

### 4. About Gas

- Do not use any other gas except for the ones indicated on the specification label of the built-in hob.
- LPG is the abbreviation for Liquefied Petroleum Gas, while TG is Town Gas supplied through pipelines.
- For liquefied petroleum gas, please use conventional household low pressure regulators. The standard pressure for LPG gas is 280 mm H<sub>2</sub>O, NG gas is 250 mm H<sub>2</sub>O, that for TG gas is 100 mm H<sub>2</sub>O.
- Do not increase the gas pressure.
- Never turn the LPG gas container upside down or subject to high temperatures or direct sunlight.

## Operating Instruction

### Ignition

1. Push the control knob to about 2 mm and turn to the left (counter clock-wise) to “ON” position.
2. When the control knob is being turn to the left (counter clock-wise) for ignition, spark are generated to ignite the burning device, accompanied by clicking sound.

- Do not release the control knob until seconds after the spark have ignited the burner (is after actuation of the safety device). Other wise, ignition will fail.
- In the event of the burner flames being accidentally extinguished, turn off the burner control and do not attempt to re-ignite the burner for at least 1 min.

The device shall not operated for more than 15 sec. If after 15 sec. the burner has not lit, stop operating the built-in-hob and open the compartment door and/or wait at last 1 min before attempting a further ignition of the burner.

- Flame can be controlled at four steps as following (Fig. 5).

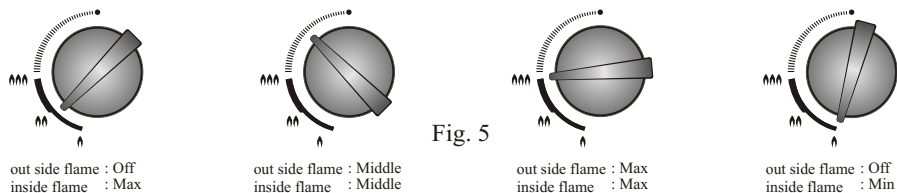


Fig. 5

- Don't clean the top of the sensor with a hard brush, as it may damage the sensor.

### Flame Extinguishing

- After use, turn the control knob to the right to "OFF", position, and will go out.
- Make sure that the control knob is turn to "OFF", position. Other wise, there is the danger of gas leakage.
- After extinguishing the flames, do not touch same part of the hob can reach very high temperature.
- After the flames in the burner head are extinguished, there may be a slight hissing sound.
- When the built-in hob is not in use, turn off the gas supply to avoid gas leakage or fire accidents.

### HOW TO HANDLE SAFETY DEVICE AND CHANGE BATTERY

- If the flame is extinguished during operation, the automatic Flame Failure Safety Device will shut off the gas after a short delay.  
if you notice that the flame has been extinguished, please turn the knob to "OFF" position.
- The safety sensor is delicate, please do not use stiff brushes or rough cleaning pads when cleaning.
  - \* Aeration is preset at factory, please do not attempt to adjust it.
  - \* Battery box is located at bottom of right front (Size C, 1.5V x 1) (Fig. 6)  
Open the door of cabinet, and change battery.

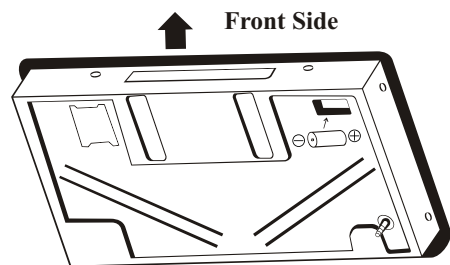


Fig. 6

### Features

- The tempered glass a is beautiful and stylish.
- The enamel pan supports are durable and will not deform, making it stable for your cooking vessels.
- The continuous ignition device will ensure a 100% ignition rate.
- Each built-in hob is equipped with a safety valve which will cut off the gas supply automatically if the flame is accidentally extinguished.

### SPECIFICATION

<b>Product</b>	Two Burner Built-in Hob
<b>Model</b>	RB-2GH-C
<b>Weight (Netto)</b>	16.4 Kg
<b>Form of Ignitions</b>	Continuous Ignition "C" Size Battery (1.5V x 1)
<b>Overall Dimension</b>	730 mm x 420 mm x 150 mm
<b>Cut out size</b>	350 mm x 670 mm

Diameters of pan which may be used on the hobs		
<b>Burners</b>	<b>min</b>	<b>max</b>
<b>Big</b>	120 mm	280 mm

\* Use only flat bottom pan except for wok burner

Type of Gas	Gas Consumption per hour Respective gas consumption		Gas Connecting Tube
	RHS / LHS ( kW )		
	H	S	
L.P.G. ( 30 mbar )	4.00	0.35	Ø9.5 mm gas specific rubber hose
Nozzle/Injector size	0.95	0.36	
T.G. ( 8 mbar )	4.50	0.40	½ In Thread (male)
Nozzle/Injector size	2.00	1.35	
N.G. ( 25 mbar )	4.30	1.10	Ø9.5 mm gas specific rubber hose
Nozzle/Injector size	1.25	0.55	

### Cut-Out Hole Size

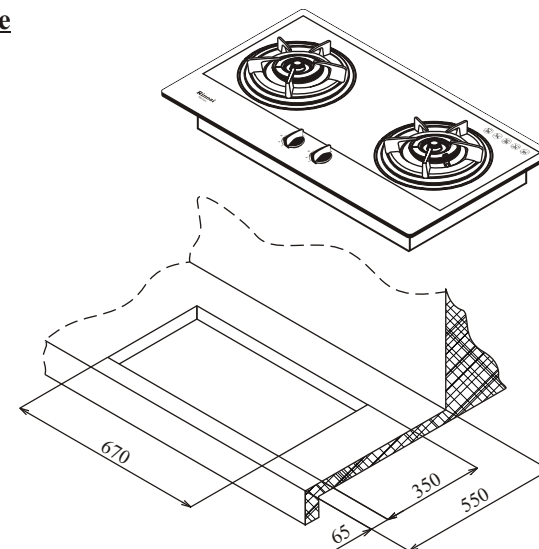


Fig. 2